



Airflow that goes anywhere you need it. Our directional fans deliver powerful airflow around obstructions such as racking, cranes, and conveyor systems that preclude overhead airflow solutions. Keep people cool in every corner regardless of your facility's layout.

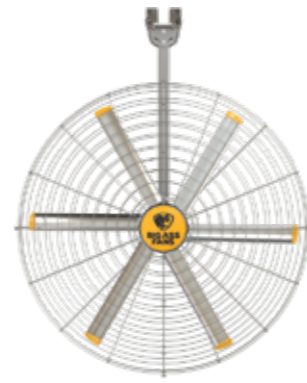


SIDEKICK®

- Ø 1.2 (m)
- 1 **1.2-METER FRAME** for easy storage
- 2 **EC MOTOR** for quiet, powerful breezes with coverage up to 37 meters

Perfect for large workstations, gyms or large outdoor spaces that need portable airflow

IPX5 rated for indoor and outdoor use



PIVOT®

- Ø 1.9 (m)
- 1 **1.9-METER FRAME** with over 1,000 operational positions
- 2 **GEARLESS DIRECT-DRIVE (0.37KW) MOTOR** for maximum efficiency

The flexible big fan for all those hard-to-reach spaces

Powerful, airflow delivering coverage up to 37 meters



BLACK JACK®

- Ø 2 (m)
- 1 **2-METER FRAME** to fit through standard interior doorways
- 2 **EC MOTOR** for quiet, powerful breezes with coverage up to 37 meters

Perfect for large workstations, gyms or large outdoor spaces that need portable airflow

IPX5 rated for indoor and outdoor use



AIREYE®

- Ø 0.52, 0.61 and 0.76 (m)
- 1 **MULTIPLE MOUNTING OPTIONS** available on pedestal, wall, I-beam, C-channel, and swivel arm
- 2 **BMS INTEGRATION** and fan grouping option with **BAFCON** controller

Flexible airflow for those hard-working areas that need a durable solution

IP65-rated EC Motor for protection against dust and water



YELLOW JACKET®

- Ø 0.76 (m)
- 1 **76-CENTIMETER HEAVY-GAUGE STEEL FRAME** for durability
- 2 **VIBRATION DAMPENING** with high-density polyethylene housing

Tough, rugged and durable for those industrial applications that need spot cooling

Available in a variety of mounting options to suit any application



BAFCON touchscreen

BAFCON™

A resistive, LED-backlit touchscreen ideally suited for industrial conditions and can integrate with your building's BMS (Building Management System).

BAFCO SINGAPORE PTE LTD
50 UBI CRESCENT #01-01
SINGAPORE 408568

6709 8500
INFO.SG@BIGASSFANS.COM
BIGASSFANS.COM/SG

Main Distributor
PT. Clarus Technology Indonesia
 ✉ halo@clarustech.id 🌐 clarustech.id ☎ +62 811-8081-222
 📱 @clarustechindo

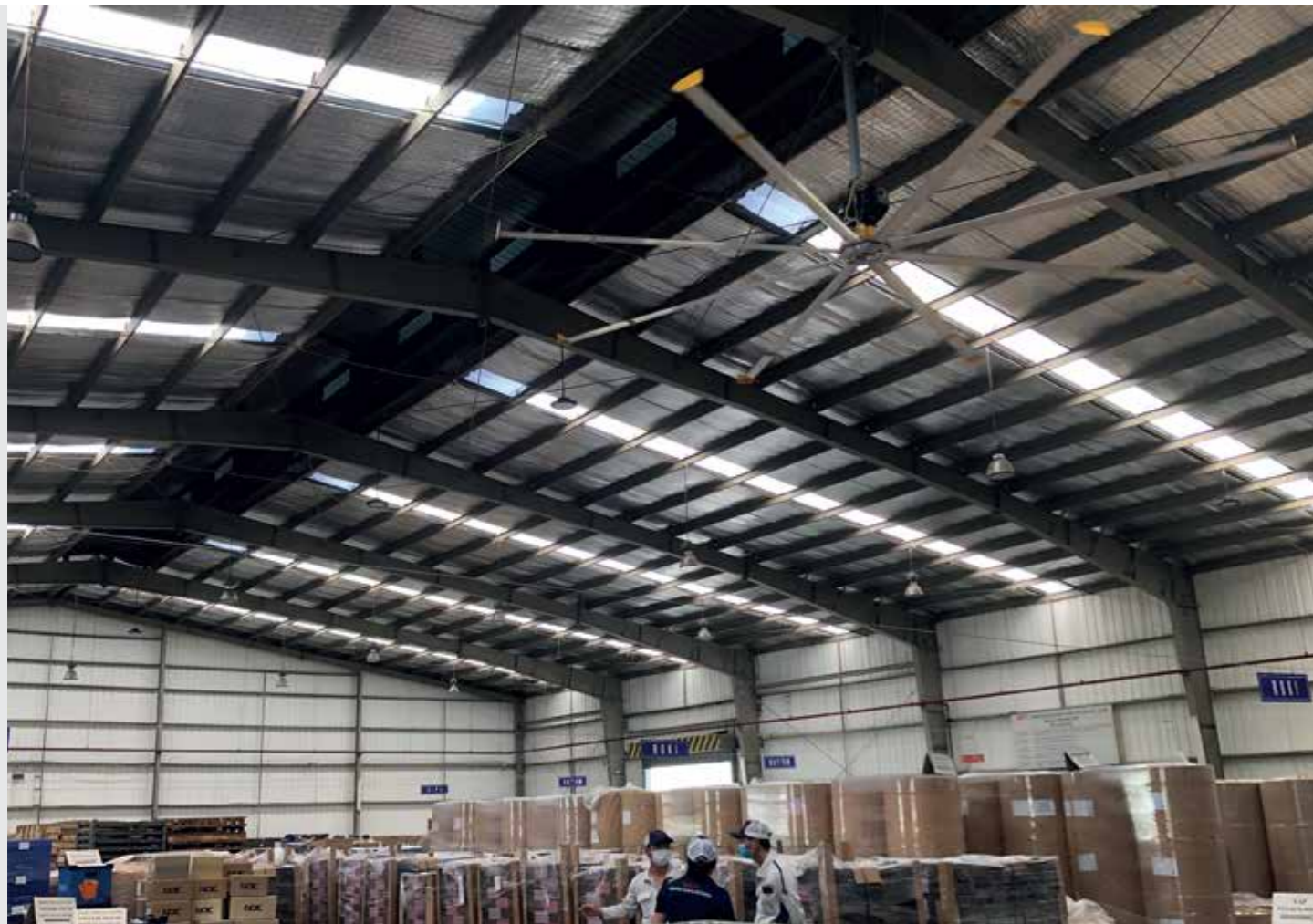


2023
 BE INSPIRED

COMFORT
 YOU CAN
 RELY ON
 OVERHEAD AND DIRECTIONAL FANS



POWERFOIL D™
 SIX AIRFOILS WITH WINGLETS
 2.4-7.3 METRES



Big Ass industrial overhead fans are designed with the size, power, and efficiency to tackle oppressive temperatures, surface condensation, or stagnant air head-on.



Featuring multi-patented designs and best-in-class safety features, our fans neutralize sweltering heat in summer, equalize facility temperatures in winter, and offer air circulation and energy savings that HVAC and traditional fan manufacturers can only dream of. Discover the right solution to keep your employees safe and productive.



No matter what aesthetic inspires your business, Big Ass Fans gives you the opportunity to transform your ceiling into a centerpiece. Our commercial fans come in a variety of premium finishes and custom colours to complement any décor, while their silent direct-drive motors ensure comfort without distraction.



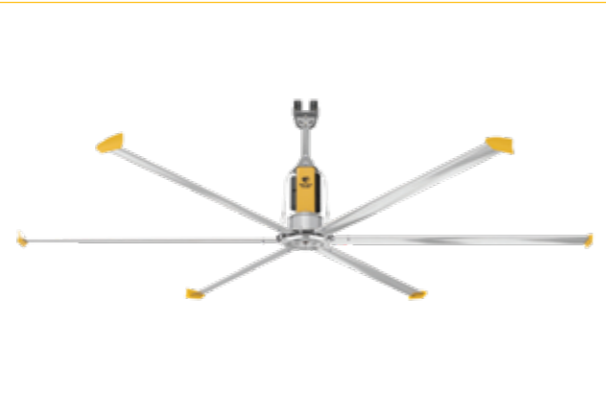
POWERFOIL® X4

Ø 3.7 - 9 (m)

- 1 EIGHT ALUMINIUM AIRFOILS with AirFence® system, winglets, and safety restraints for all-in-one safety.
- 2 NITROSEAL™ GEARBOX hermetically-sealed, delivering powerful breezes for a lifetime of dependable operation

Ideal for spaces that need power, durability and unmatched airflow

The best airflow coverage than any other Big Ass Fan



POWERFOIL D®

Ø 2.4 - 7.3 (m)

- 1 SIX AIRFOILS with winglets and safety restraints, safety cables and grade 8 hardware for all-in-one safety
- 2 PERMANENT-MAGNET DIRECT-DRIVE MOTOR for quiet, energy-efficient breezes

Ideal for spaces that need quiet, powerful airflow

Build with IP66 rating to withstand harsh environments like dust and water



POWERFOIL® 8

Ø 3.7 - 7.3 (m)

- 1 EIGHT ALUMINIUM AIRFOILS with AirFence® system, winglets, and safety restraints
- 2 INDUSTRIAL-GRADE MOTOR and double lip-sealed gearbox

Patented airfoils for quiet operation

Durable HVLS ceiling fan with industrial-grade components for heavy-duty use



BASIC 6®

Ø 3.7 - 7.3 (m)

- 1 SIX AIRFOILS with winglets and safety restraints
- 2 INDUSTRIAL-GRADE MOTOR with sealed helical gearbox for smooth, durable operation

Keeps your environment ventilated and your energy bills low



ESSENCE®

Ø 2.4 - 4.3 (m)

- 1 EIGHT ANODIZED AIRFOILS with winglets and safety restraints
- 2 GEARLESS DIRECT-DRIVE MOTOR for quiet, energy-efficient breezes

Ideal for larger spaces that need quiet, powerful airflow that is easy on the eyes

IP43 rated for indoor and outdoor use



I6®

Ø 1.5 - 2.4 (m)

- 1 OUTDOOR FINISHES in Black, White or Brushed Aluminium
- 2 PATENTED BRUSHLESS DC MOTOR for quiet, energy-efficient breezes

Ideal for smaller spaces that are after an Industrial Chic look

SenseMe™ technology and voice integration with Amazon Alexa and Google Home